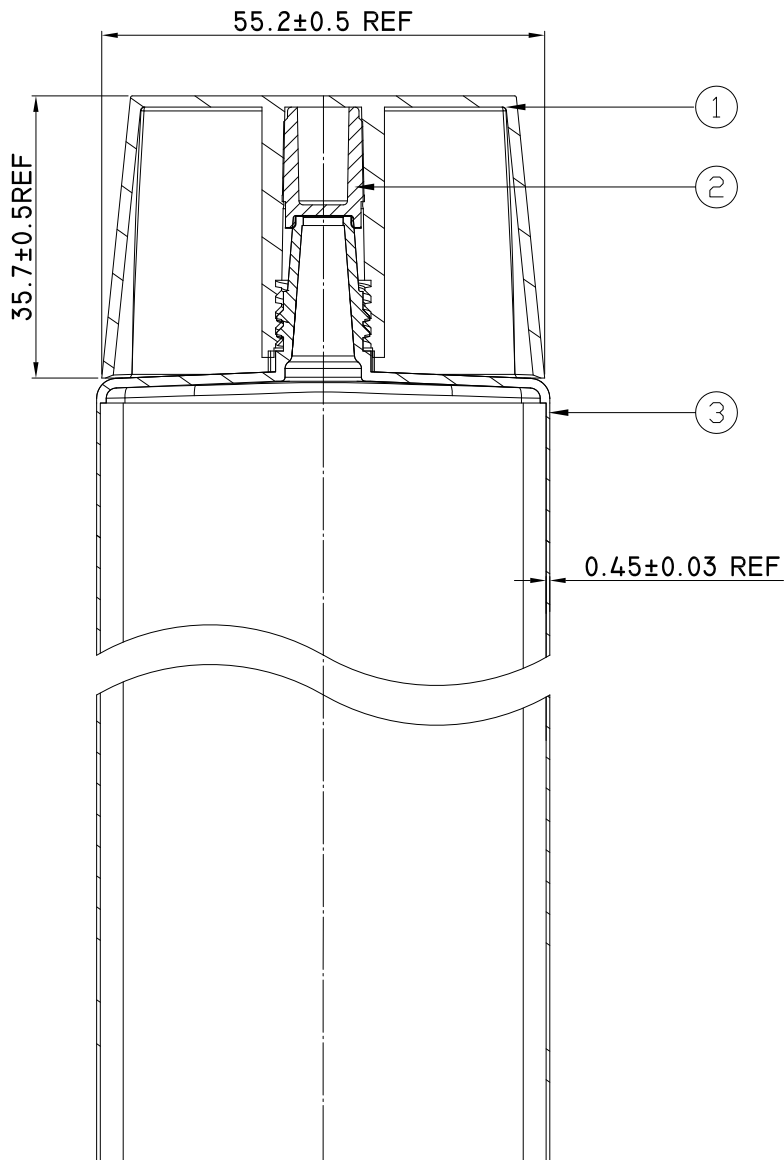
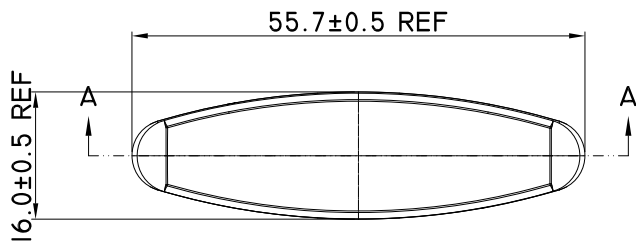


ITEM	DESCRIPTION OF REVISION	REVISED BY	DATE
①			



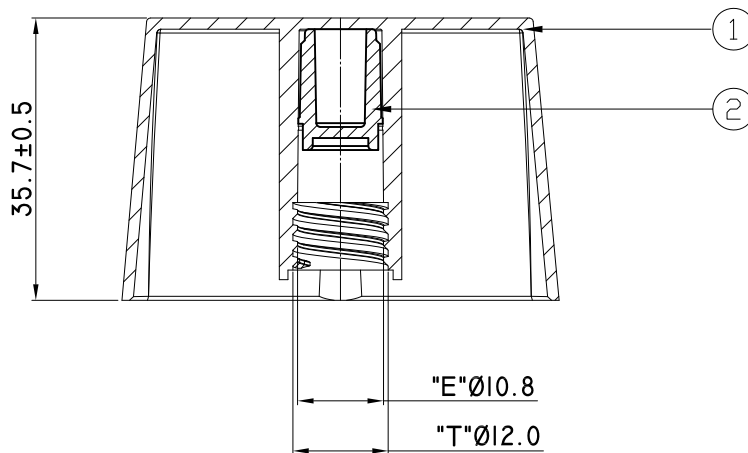
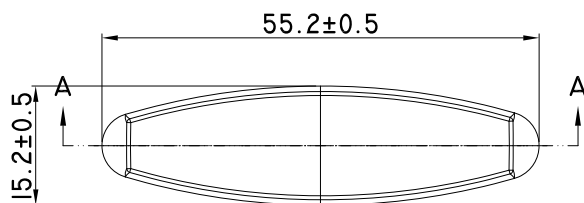
SECTION A-A

3	TUBE	D40-OVALI0	PE
2	PLUG	C13	PE
1	CAP	D40-V46UD	PP
No	PARTS	PART CODE	MATERIALS

<p><b>PROPRIETARY AND CONFIDENTIAL</b></p> <p>THE INFORMATION CONTAINED IN THIS DRAWING IS THE SOLE PROPERTY OF UDN INTERNATIONAL INC. ANY REPRODUCTION IN PART OR AS WHOLE WITHOUT THE WRITTEN PERMISSION OF UDN INTERNATIONAL INC. IS PROHIBITED.</p>	Designed <b>QMX</b>	Date 2020/10/12	Drawing Name: <b>D40-OVALI0-D40-V46UD</b>			
	Checked <b>BECK</b>	Date 2020/10/12	Product Name <b>ASSEMBLY</b>			
	Approved	Date	Drawing/File No.			
	<b>GENERAL TOLERANCES</b>		Scale	1 : 1	Material	<b>SEE BOM</b>
	X.X ±0.2		Unit	mm	View	
	X.XX ±0.15		Don't Scale Drawing			
	ANGULAR X.X ±0.5°					



ITEM	DESCRIPTION OF REVISION	REVISED BY	DATE
△			

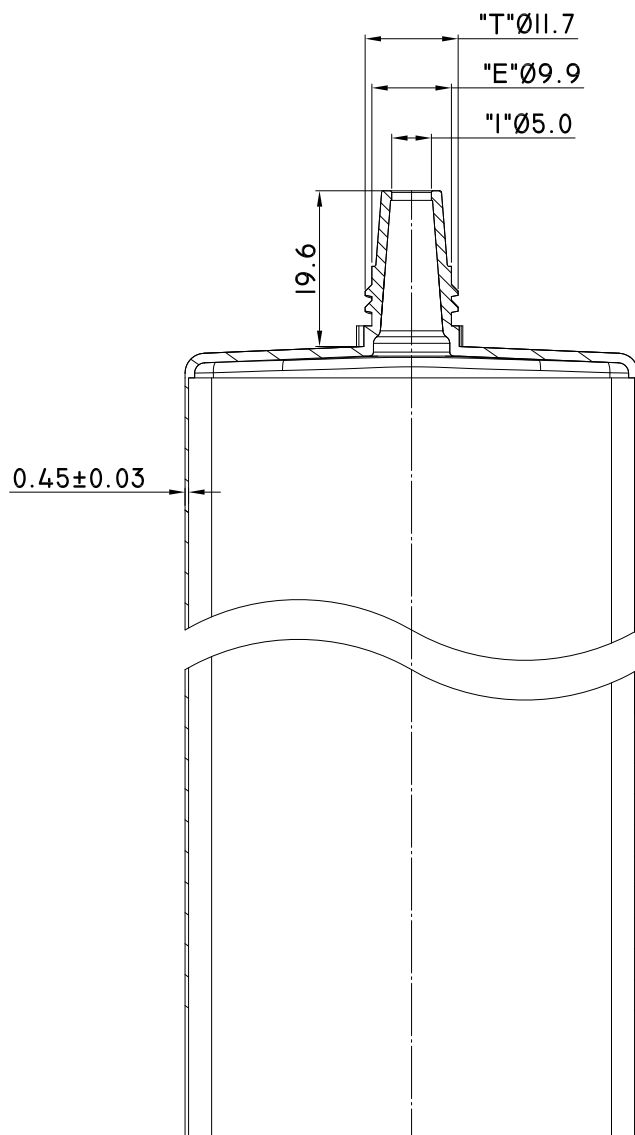
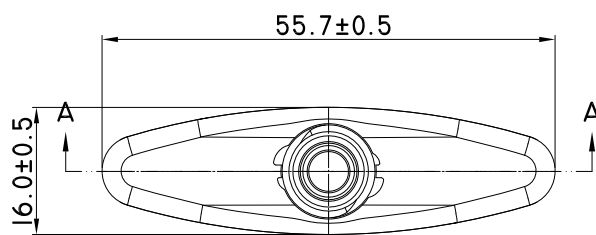


2	PLUG	C13	PE
1	CAP	D40-V46UD	PP
No	PARTS	PART CODE	MATERIALS

<p><b>PROPRIETARY AND CONFIDENTIAL</b></p> <p>THE INFORMATION CONTAINED IN THIS DRAWING IS THE SOLE PROPERTY OF UDN INTERNATIONAL INC. ANY REPRODUCTION IN PART OR AS A WHOLE WITHOUT THE WRITTEN PERMISSION OF UDN INTERNATIONAL INC. IS PROHIBITED.</p>	Designed <b>QMX</b>	Date <b>2021/03/23</b>	Drawing Name: <b>D40-V46UD</b>		
	Checked <b>BECK</b>	Date <b>2021/03/23</b>	Product Name <b>CAP</b>		
	Approved	Date	Drawing/File No.		
	<b>GENERAL TOLERANCES</b>		Scale	1 : 1	Material
	X.X ±0.2 X.XX ±0.15 ANGULAR X.X ±0.5°		Unit	mm	View
Don't Scale Drawing					




ITEM	DESCRIPTION OF REVISION	REVISED BY	DATE
△			



SECTION A-A

<p><b>PROPRIETARY AND CONFIDENTIAL</b></p> <p>THE INFORMATION CONTAINED IN THIS DRAWING IS THE SOLE PROPERTY OF UDN INTERNATIONAL INC. ANY REPRODUCTION IN PART OR AS A WHOLE WITHOUT THE WRITTEN PERMISSION OF UDN INTERNATIONAL INC. IS PROHIBITED.</p>	Designed <b>QMX</b>	Date 2020/10/12	Drawing Name:		<b>D40-OVALI0</b>		
	Checked <b>BECK</b>	Date 2020/10/12	Product Name		<b>TUBE</b>		
	Approved	Date	Drawing/File No.				
	<b>GENERAL TOLERANCES</b>		Scale	1 : 1	Material	<b>PE</b>	
	X.X ±0.2 X.XX ±0.15 ANGULAR X.X ±0.5°		Unit	mm	View		
Don't Scale Drawing							



**UDN**  
PACKAGING CORPORATION  
<http://www.udnpack.net>